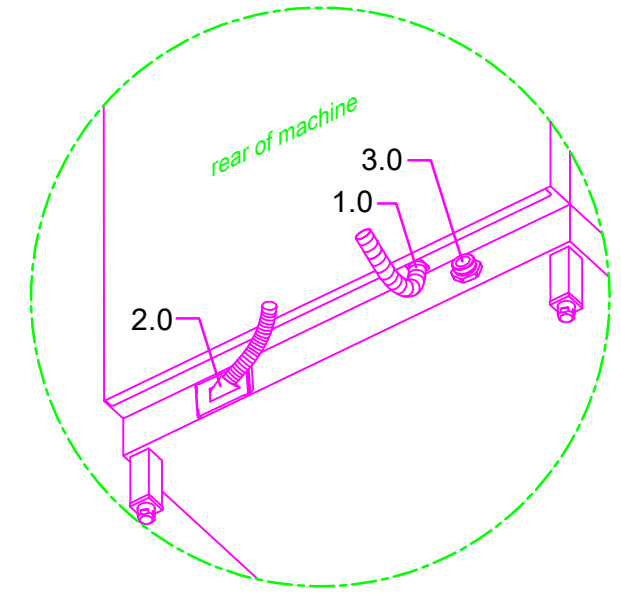
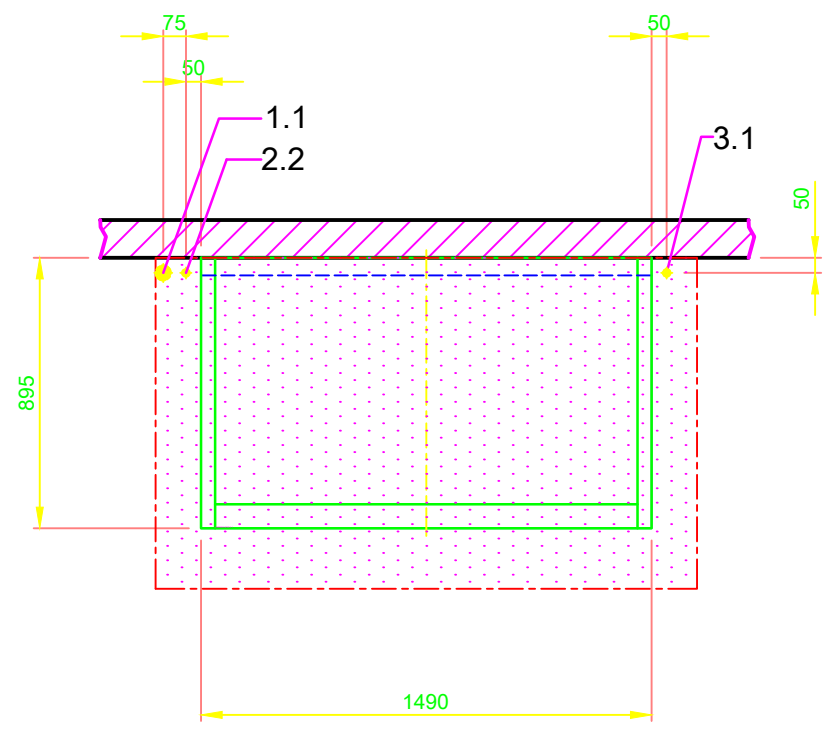
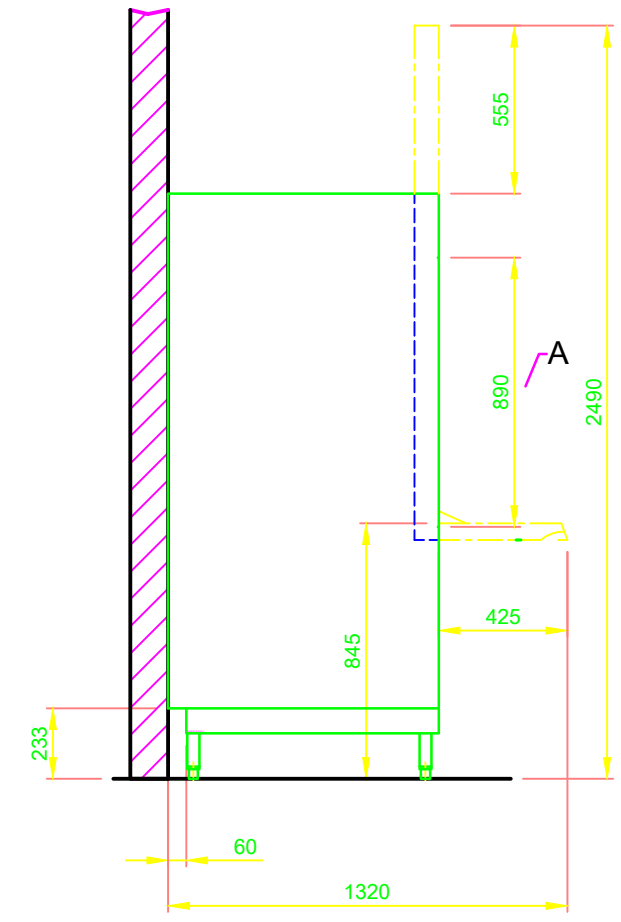
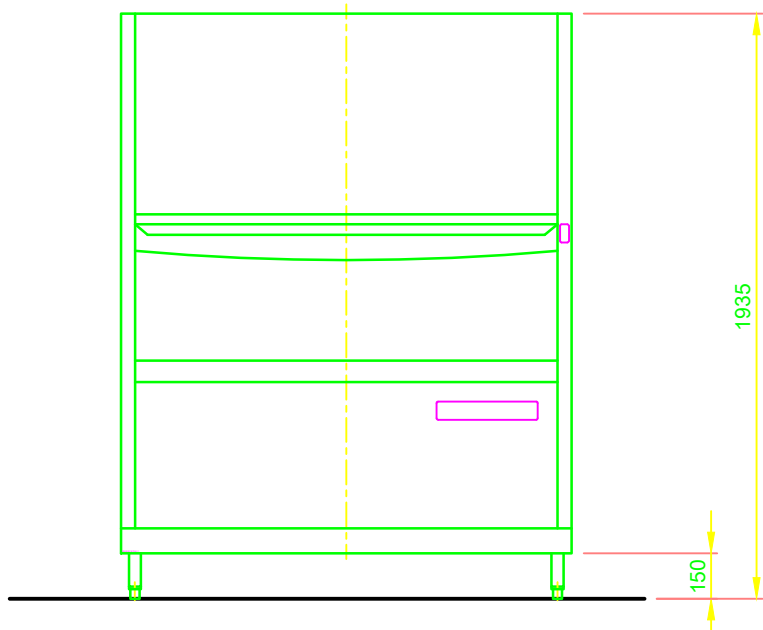



1.0	machine connection: drain connection hose, DN 22 hose fitted as odour trap in interior of machine
1.1	drain (max.700 mm above finished floor level), DN 50
2.0	Machine connection: fresh water supply, G 3/4"
2.2	Soft cold water 10°C, DN 15, G 3/4 a max. 0,54 mmol/l CaCO ₃ (max. 3°dH) Flow rate: 5.0 l/min Minimum: 60 kPa / 0.6 bar in front of solenoid valve Maximum pressure: 500 kPa / 5.0 bar stopcock and fine screen ≤ 25 µm
3.0	Machine connection: electrical connection cable 5G 10mm ²
3.1	electricity supply to the machine: 3N PE 400V ~ 50Hz nominal current / - capacity: 38.4 A / 22.9 kW ⚡ Voltage equalising cable The master switch must be provided on site
6.0	Heat load of warewash area The values apply for the following room conditions: Room temperature 22 °C, rel. humidity 55 % The hatched area on the drawing indicates the suggested location of the room extract ventilation. The total heat load includes 6.1
6.1	Heat load of the machine in normal washing operation: for 15 programme cycles/h total 6.7 kW, perceptible 4.5 kW, latent 2.2 kW For the total space load, all other space loads must be considered. The space ventilation must be designed in accordance with EN 16282.
all cables, pipes etc leaving machine 1,8 m	
Machine Equipment	
Tank / boiler locked	
(A) Entry height	
Final rinse dosing unit with suction lance (blue connector)	
Back wall cladding	



 <p>MEIKO UK LIMITED, Baden House 393 Edinburgh Avenue, Slough, Berkshire, SL1 4UF TEL: 01753 215120 TELEFAX: 01753 215159 E-MAIL: AVeerd@meiko-uk.co.uk</p>	Revision		Type	
	Reference	DISHWASHER STANDARD DRAWING / GBR	FV250.2	
<p>This drawing may not be neither passed to third parties for their information or copied or used for competitive purposes without our consent. All rights reserved. We reserve the right to make changes resulting from technical progress. This drawing was computer generated and is not subject to the checking and any release process; it is also not subject to change management. Please note: This document is only valid in conjunction with the conditions defined in Supplementary Sheet "Important Information". These can be requested from the manufacturer or downloaded from the Partnernet.</p>	TYPE: UNIVERSAL	Drawing-No.	Order-No.	
	Scale	1:25	drawn:	checked:
		06.08.2020	m-iplan	06.08.2020
				m-iplan